

# PRODUCT SPECS

# CENTRAL HEATING UNIT 400 CHU



## FEATURES

- The 400 CHU has the power to heat small to medium sized structures, thaw over 6,000 sq ft of frozen ground or cure concrete slabs up to 14,000 sq ft.
- Gas versions operate on LP or NG while Tri-fuel versions operate on diesel, LP or NG.
- The compact size and bi-directional fork pockets make the 400 CHU easy to place on even the smallest job sites.
- System operation is controlled and monitored from the central heating module control panel.
- 7 LED lights indicate operation of all essential systems for easy monitoring and troubleshooting.
- Fluid circulation system is low pressure and atmospherically vented. There is no chance of an explosion or line burst due to pressure build-up. No special boiler certification is required to operate unit.
- A "rapid air elimination" feature ensures quick setup-and-go operation.
- Modular design allows the unit to conform to most special job requirements.

Combine the 400 CHU with DryAir accessories for specialty heating projects:

**D-CAN 30 Desiccant Dehumidifier:** Dry out flooded structures or control humidity in buildings under construction to speed drying time of paint, mortar, specialty coatings or drywall compound.

**Plate Heat Exchanger:** Temporarily tie in to boiler systems while the permanent water heater is being replaced or down for maintenance.

**HEFA 250EX Explosion Proof Exchanger:** 250,000 BTUs of explosion proof space heating for oil and gas sites or industrial/mining applications where there is a risk of combustion from airborne gases or particles in the space.

**Hose Reel and Thawing/Curing Hose:** Wrap pipelines or fluid vessels to provide freeze protection.



400 Service Road, St. Brieux, SK, S0K 3V0, Canada

1-888-750-1700 | [WWW.DRYAIR.CA](http://WWW.DRYAIR.CA)

# PRODUCT SPECS

# CENTRAL HEATING UNIT

## 400 CHU *cont'd*

## SPECIFICATIONS

### Diesel

#### Input capacity

- 348,000 Btu/h

#### Consumption (max)

- 2.45 US gph

### Natural gas

#### Input capacity

- 354,960 Btu/h

#### Consumption (max)

- 354.96 cu ft/h

### Propane

#### Input capacity

- 354,756 Btu/h

#### Consumption (max)

- 3.9 US gph

Weight ..... 1,370 lbs

Electrical ..... 120 V, single phase, 60 Hz, 11.4 A

#### Loading (standard):

Forklift pockets

#### Heat exchanger:

Water jacket/fire tube type

### Fluid temperature

range ..... 120°F to 180°F

### Controls and monitoring:

Pump and temperature controls, full gauge panel showing circulation fluid temperatures and pressures, 7-light system operation feature for easy troubleshooting

**Lock-out** ..... Locks out control panel access

### Internal fluid circulation system:

#### Basic features

- Atmospherically vented low pressure system, single supply and return, adjustable fluid temperature control, auto pressure bypass for pump protection and variable flow demands, auto temperature bypass for heat exchanger protection

### Heat transfer fluid (HTF)

- Non-toxic propylene glycol/water mixture

### Primary circulation

- 1 1/4" fluid circulation lines, 1 1/4" ball valves, 1 1/4" Kamlok® quick couplers

### Circulation pump

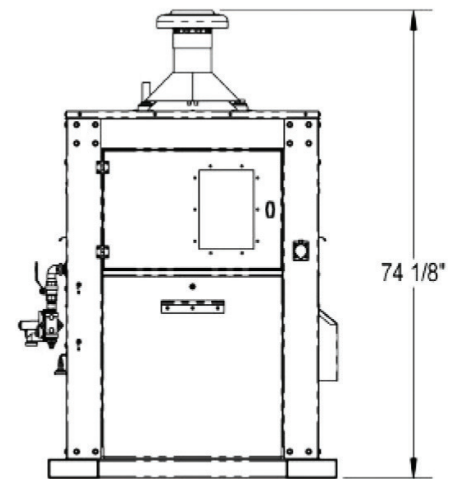
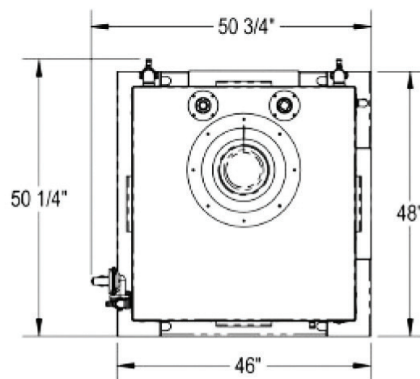
- 965 US gph

### Operating pressure (max)

- 35 psi

### Certification:

CSA/UL certified by TÜV



400 Service Road, St. Brieux, SK, S0K 3V0, Canada

1-888-750-1700 | [WWW.DRYAIR.CA](http://WWW.DRYAIR.CA)